

ALL
BRITISH
COMPANY

EXTENDED-HUB ELECTROMAGNETIC CLUTCHES

FOR PULLEY, CHAINWHEEL,
SPUR GEAR OR FLEXIBLE COUPLING

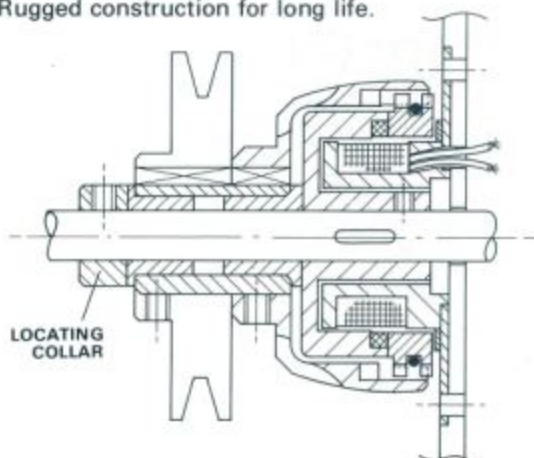
DATA
SHEET
SIZE
S175EH

MAXIMUM STATIC TORQUE 1.1 Nm. 10 lb. ins.

EXTENDED HUB CLUTCHES

Advantages

- Ideal for use where an input or output drive is required to a shaft emerging from a machine side frame or casting.
- Rugged construction for long life.
- Through shaft mounting avoids need to align shafts.
- Offers a facility for use with a pulley or a flexible coupling for in-line drive.
- Input drive may be to shaft or hub.



SELECTION TABLE

Allowing for 250% torque overloads after Clutch has brought load to full speed.

Motor kW	SHAFT SPEED AT CLUTCH IN R.P.M.																		
	100	200	300	400	500	600	700	800	900	1000	1250	1440	1750	2000	2500	2800	3000	4000	
0.015	250	250	250	175	175	175	175	175	175	175	175	175	175	175	175	175	175	175	175
0.037	365	250	250	250	250	250	250	175	175	175	175	175	175	175	175	175	175	175	175
0.06	400	365	250	250	250	250	250	250	250	250	250	250	175	175	175	175	175	175	175
0.09	400	400	365	250	250	250	250	250	250	250	250	250	250	175	175	175	175	175	175
0.12	600	400	365	365	365	250	250	250	250	250	250	250	250	250	250	175	175	175	175
0.18	600	400	400	400	365	365	365	250	250	250	250	250	250	250	250	250	250	250	175
0.25	600	600	400	400	400	365	365	365	365	365	250	250	250	250	250	250	250	250	250
0.37	800	600	600	400	400	400	400	400	365	365	365	365	250	250	250	250	250	250	250
0.55	800	800	600	600	600	400	400	400	400	400	365	365	365	365	250	250	250	250	250
0.75		800	600	600	600	600	600	400	400	400	400	400	365	365	365	365	365	365	250
1.1		800	800	600	600	600	600	600	600	600	400	400	400	400	365	365	365	365	365
1.5			800	800	800	600	600	600	600	600	600	600	400	400	400	400	400	400	365
2.2				800	800	800	800	600	600	600	600	600	600	600	400	400	400	400	400
3.0							800	800	800	800	800	600	600	600	600	600	600	600	400
5.5											800	800	800	800	600	600	600	600	600
7.5												800	800	800	800	600	600	600	600
9.3													800	800	800	800	800	800	600
11.0														800	800	800	800	800	800

See S175 Clutch Data Sheet for full specification.

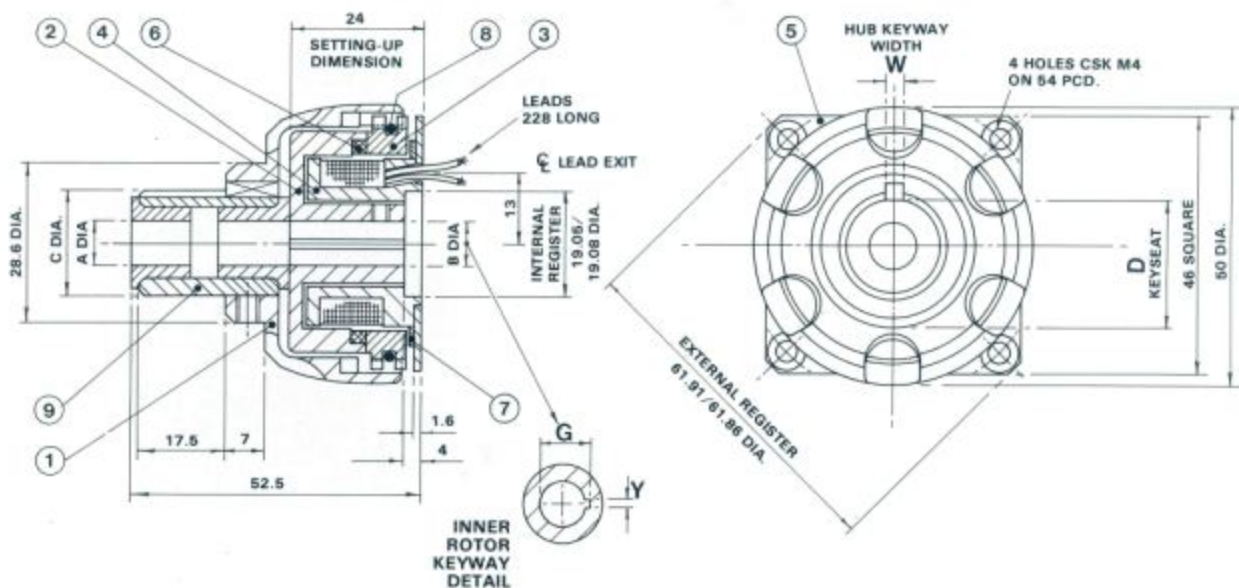
DATA SHEET
SIZE
S175EH

EXTENDED-HUB ELECTROMAGNETIC CLUTCHES

FOR PULLEY, CHAINWHEEL, SPUR GEAR OR FLEXIBLE COUPLING

ALL
BRITISH
COMPANY

Type S175EH (Consult S175 Clutch Data Sheet for details of field spool mounting).



STANDARD BORES, HUB DIAMETERS & KEYWAYS

PARTS LIST

BEARING BORE A DIA.	B DIA	INNER ROTOR KEYWAY		HUB DIA. C	HUB KEYWAY	
		Y	G		W	D
1/4"	.250"/.251"			.7500"/.7495"	.124"/.125"	.677"/.671"
5/16"	.3125"/.3135"	.125"	.372"/.378"			
3/8"	.375"/.376"		.409"/.415"			

ITEM	PART No.	TITLE
1	3477	EH OUTER MEMBER
2	541	INNER ROTOR
3	5254	DRIVE RING
4	544	FIELD SPOOL ASSY.
5	545	MOUNTING PLATE
6	5265	FRICTION LINING
7	4854	MAGNETIC INSULATOR
8	735	CUSHION RING
9	4127	EH SLEEVE AND BEARING SUB ASSY.

METRIC SIZES (mm)

BEARING BORE A DIA.	B DIA	INNER ROTOR KEYWAY		HUB DIA C	HUB KEYWAY	
		Y	G		W	D
6	6.00/6.03			20.00/19.99	4.00/3.97	17.5/17.4
8	8.00/8.03	2.00/1.99	9.03/9.13			
9	9.00/9.03	3.00/3.02	10.43/10.53			

CLARK ELECTRIC CLUTCH AND CONTROLS Ltd

28 Victory Park, Trident Close, Medway City Estate, Rochester, Kent, ME2 4ER
Tel.: +44 (0)1634 297408 Fax.: +44 (0)1634 739136 e-mail: sales@clarkelectric.co.uk