

ALL
BRITISH
COMPANY

**EXTENDED-HUB
ELECTROMAGNETIC
CLUTCHES**
FOR PULLEY, CHAINWHEEL,
SPUR GEAR OR FLEXIBLE COUPLING

DATA
SHEET
SIZE
S600EH

MAXIMUM STATIC TORQUE 61 Nm. 45 lb. ft.

EXTENDED HUB CLUTCHES

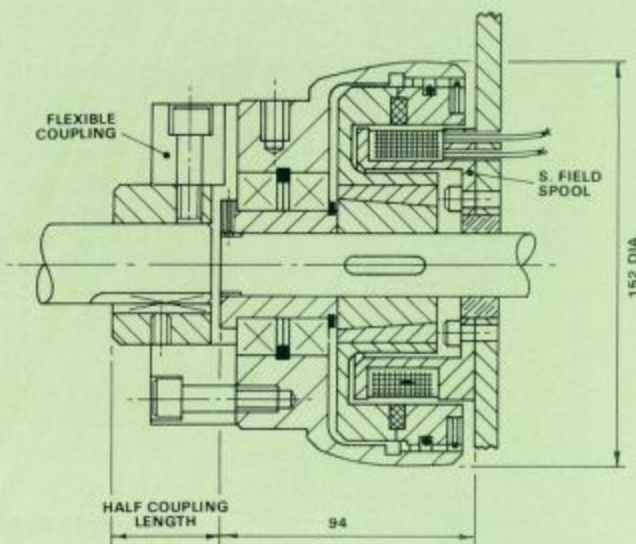
Advantages

- Clark Clutches are self-adjusting throughout their life - no maintenance.
- Clutch uses existing machine frame for support - reduced cost.

These clutches are supplied with specified Pulley or Chainwheel etc., already fitted.

The design can accommodate Vee Pulleys, Timing Belt Pulleys, Chainwheels or Spur gears, or flexible couplings for in-line drives.

They provide an alternative method of automatic transmission where it is required to drive into or from a shaft. The input drive may be to pulley or shaft.



In common with the S600 clutch-coupling, the Pulley Clutch is recommended for use where a support for the Clutch field spool already exists i.e. where a shaft emerges from the side frame of a machine or casting.

S600EH CLUTCH WITH FLEXIBLE COUPLING FOR IN-LINE DRIVE

DATA
SHEET
SIZE
S600EH

EXTENDED-HUB ELECTROMAGNETIC CLUTCHES

FOR PULLEY, CHAINWHEEL,
SPUR GEAR OR FLEXIBLE COUPLING

ALL
BRITISH
COMPANY

Field Spool Location

For best results it is necessary to accurately locate the field spool either by providing a register to suit the OD of the spool as in Drg. A, or by use of a bearing worthy bush to suit the internal register and the shaft as in Drg. B.

It is also important to correctly locate the inner rotor in its axial position, see Drg. A, for setting up dimension. This is simplified by use of a spacer on the shaft fitted between the end of the inner rotor and passing through the field spool up to the shaft support bearing.

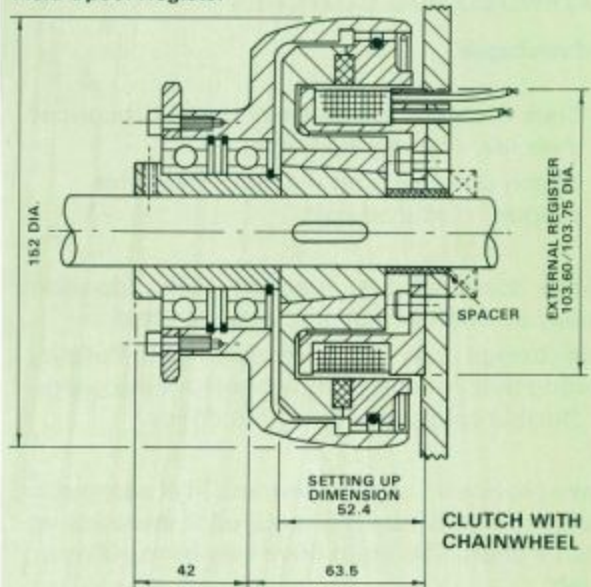
See S600 Clutch data sheet for full technical specification of clutch and dimensions of fixing holes and field spool registers and available bore sizes.

Order Specification

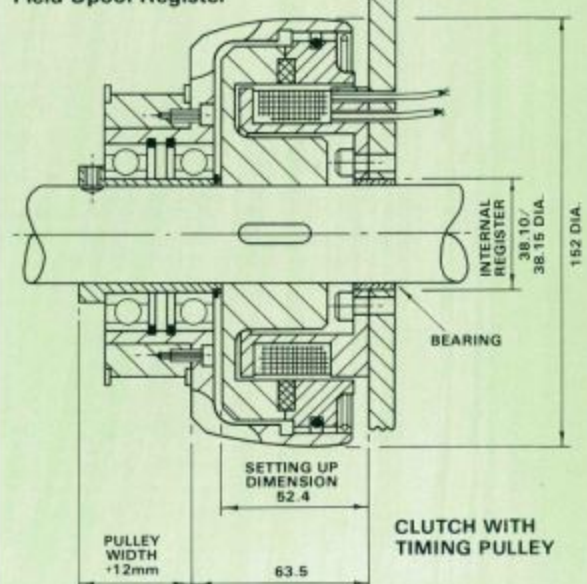
- State ● Through shaft diameter.
- State ● Pulley PCD No. of grooves and belt section.
- or
- Chainwheel PCD and pitch for simple duplex or triplex chain.
- or
- Gearwheel details.

For pulleys under 4" - (100 mm) PCD, apply for details of maximum bore which can be accommodated.

Drg. A. using external
Field Spool Register



Drg. B. using internal
Field Spool Register



CLARK ELECTRIC CLUTCH AND CONTROLS Ltd

28 Victory Park, Trident Close, Medway City Estate, Rochester, Kent, ME2 4ER

Tel.: +44 (0)1634 297408 Fax.: +44 (0)1634 739136 e-mail: sales@clarkelectric.co.uk